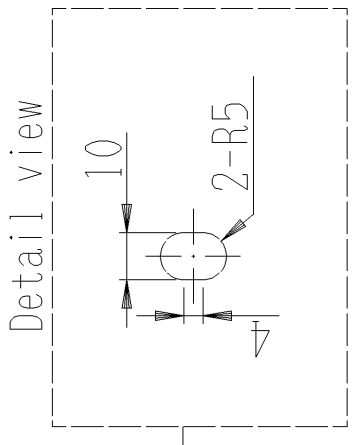
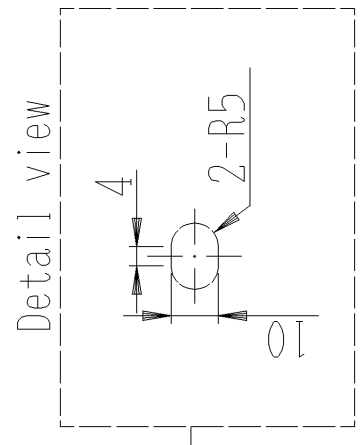
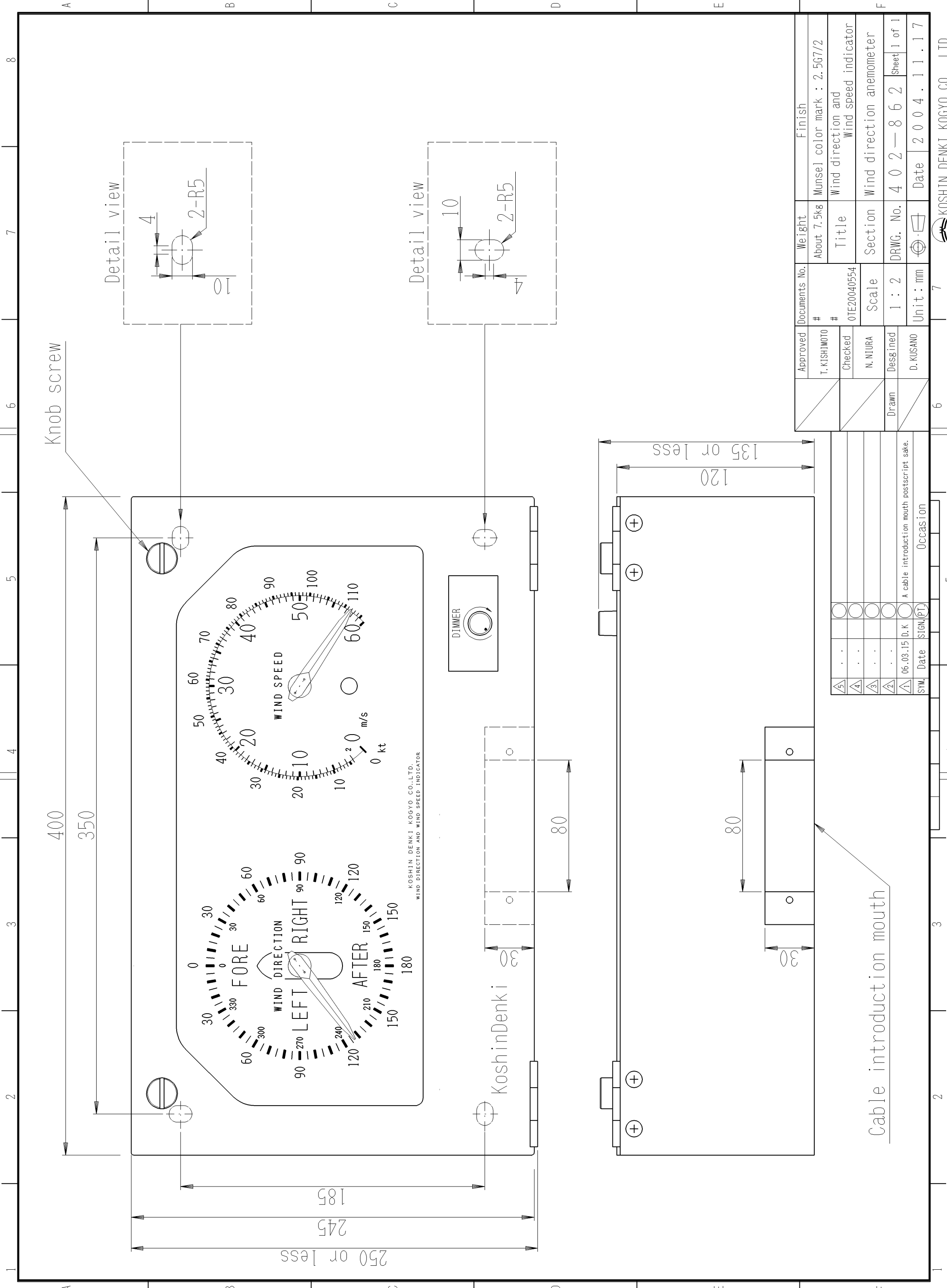


△5	..	○		Documents No.	Weight	Finish	
△4	..	○		#	2.5kg or less	Munsell color mark : 2.5G7/2	
△3	..	○		#	Title	Transmitter for Wind direction and Wind speed	
△2	..	○		# 205	Section	Wind direction anemometer	
△1	..	○		Scale	DRWG. No.	4 0 0 — 9 7 9	Sheet 1 of 1
SYM.	Date	SIGN.(PT.)	Occasion	1 : 5	Unit : mm	Date	2 0 0 5 . 3 . 2 3
		Drawn	Desgined	Checked	Approved		
			S. KATSURA	N. NIURA	T. KISHIMOTO		



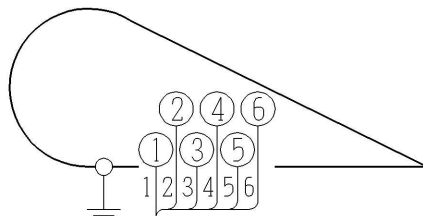
△	..	○
△	..	○
△	..	○
△	..	○
△	06.03.15 D.K	○
SYM	Date	SIGN.(PT.)

Cable introduction mouth

Approved	Documents No.	Weight	Finish
T. KISHIMOTO	#	About 7.5kg	Munsel color mark : 2.5G7/2
Checked	#	Title	Wind direction and Wind speed indicator
N. NIURA	0TE20040554	Section	Wind direction anemometer
Designed	Scale	DRWG. No.	4 0 2 - 8 6 2
D. KUSANO	1 : 2	Unit : mm	Sheet 1 of 1
Drawn	Unit : mm	Date	2 0 0 4 . 1 1 . 1 7

A  
B  
C  
D  
E  
F

### Transmitter for Wind direction and Wind speed (100-131)



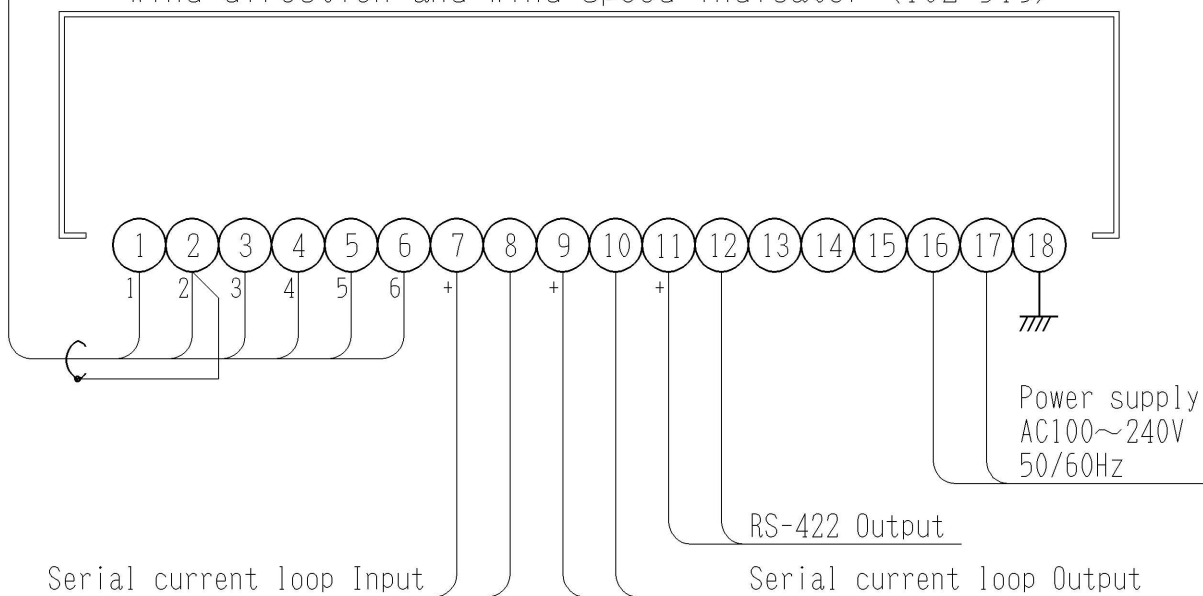
Please wire a case ground if needed.  
(More than 2 square millimeters)

Transmitter terminal    Indicator terminal

- 1---1 Wind speed pulse
- 2---2 com
- 3---3 +12V
- 4---4 Wind direction output
- 5---5 Clock pulse
- 6---6 P/S signal

6C shield

### Type KV-5020 Wind direction and Wind speed indicator (102-519)



Serial current loop Input

Serial current loop Output

Power supply  
AC100~240V  
50/60Hz

RS-422 Output

5	.	○		Documents No.	Weight	Finish	
4	.	○		#			
3	.	○		#	Title	Connection diagram	
2	.	○		0TE20060137	Section	Wind direction anemometer	
1	.	○		Scale	DRWG. No.	1 6 0 - 2 1 6	Sheet 1 of 1
SYM.	Date	SIGN.(PT)	Occasion	1 : 1	Unit : mm	Date	2 0 0 6 . 5 . 8
		Drawn	Desgined	Checked	Approved		
			D. KUSANO	T. KISHIMOTO	K. WATANABE		